

Service Trays

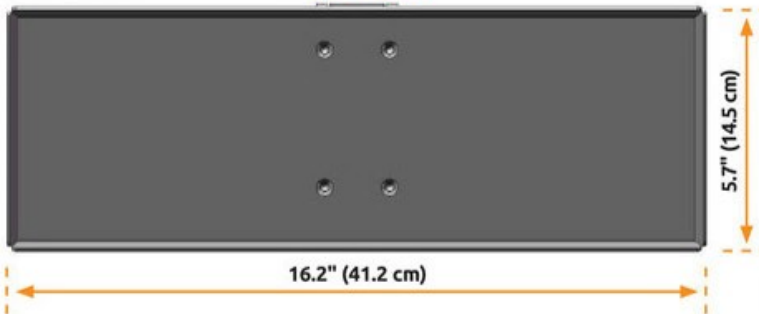
ICWUSA.com, Inc. has a large selection of optional tray surfaces to make your computer workstation more efficient. Perfect for all sizes of printers, devices and other general purposes. Designed and built in the USA, ICW also specializes in custom mounts and sizes.

For more information on ICW trays and work surfaces, please contact one of our friendly product specialists at 1-800-558-4435 or email sales@icwusa.com.

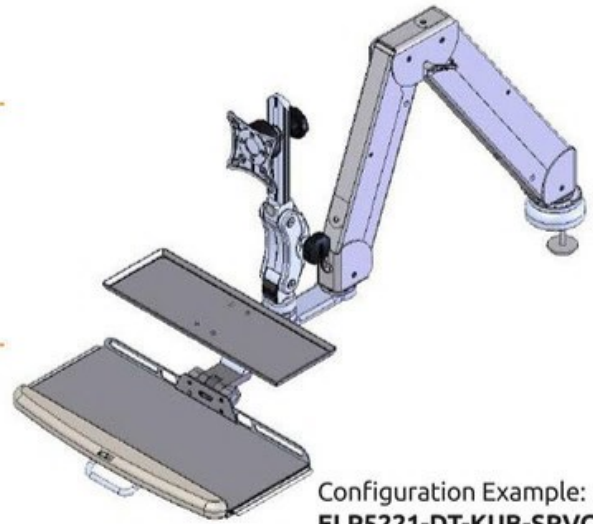
- ERGONOMIC. Place at any level for your economic comfort.
- MOUNTS to most ICW computer on medical device mounts
- AVAILABLE in options that mount to the wall, on a wall track, desk or pole.
- CHOOSE from 14 colors to match your decor.

SRVCTRY

TOP VIEW



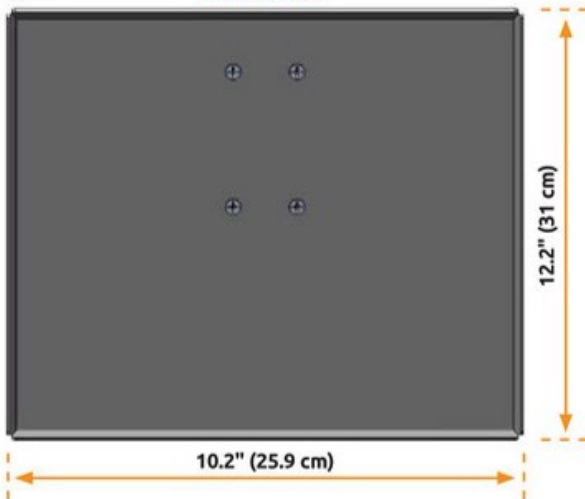
- Inner Dimensions: 15.7" x 5.2" | Edge Height: 0.4"
- Attaches to most arms and wall tracks



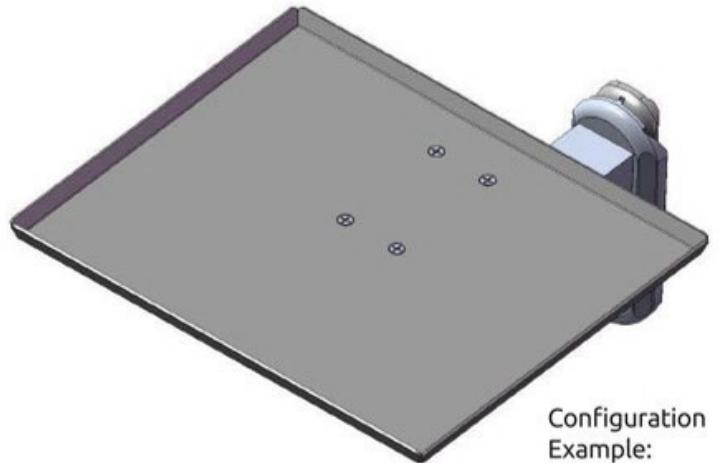
Configuration Example:
ELP5221-DT-KUB-SRVCTRY

KHT

TOP VIEW



- Inner Dimensions: 9.67" x 11.67" | Edge Height: 0.4"
- Fits to most arms and wall tracks



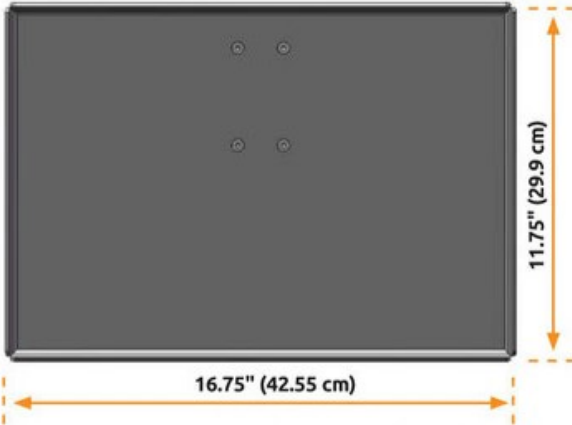
Configuration Example:
KUHT-TSVI



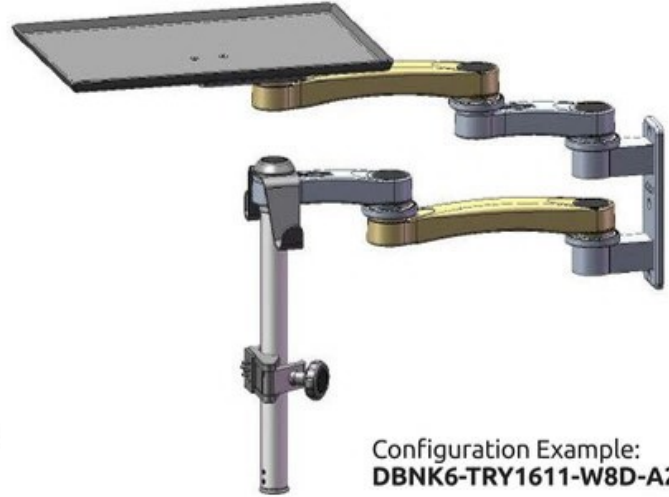
For more information, contact your ICW representative or talk to one of our customer service representatives at 1-800-558-4435 or sales@icwusa.com.

Service Trays

TRY1611 TOP VIEW

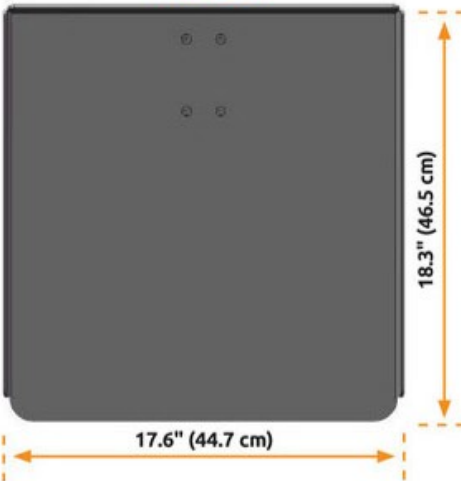


- Inner Dimensions: **15.98" x 10.98"** | Edge Height: **0.4"**
- Fits to most arms and wall tracks

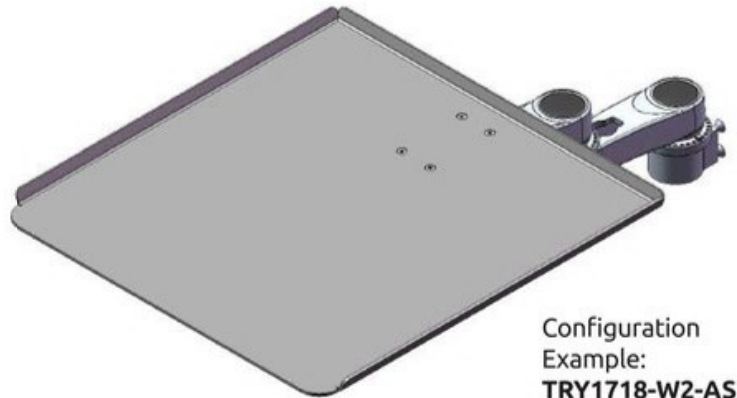


Configuration Example:
DBNK6-TRY1611-W8D-A2-AS2

TRY1718 TOP VIEW

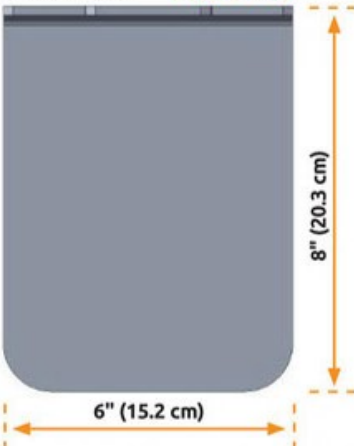


- Inner Dimensions: **16.83" x 17.92"** | Edge Height: **0.4"** (on three sides)
- Edges on three sides
- Fits to most arms and wall tracks

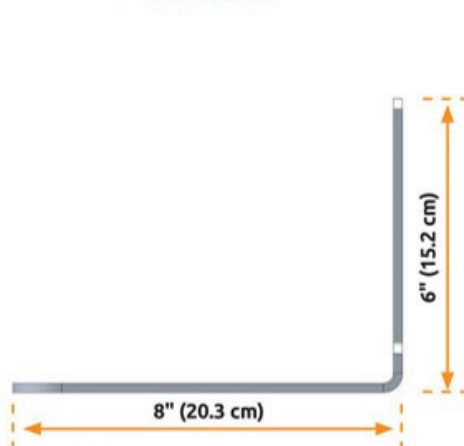


Configuration Example:
TRY1718-W2-AS2

SCANTRAY TOP VIEW



SIDE VIEW



ISOMETRIC VIEW



- Attaches to wall on wall track (channel)

ICW
SOLID SUPPORT

ICWUSA.com, Inc.
1487 Kingsley Drive
Medford, OR 97504
800-558-4435

Visit our website www.icwusa.com